

Darwin



Traditional post top lantern shape for applications where upward light needs to be eliminated. The opaque acrylic diffuser offers a low glare environment and an optional PE cell model is available. Control gear is integrally

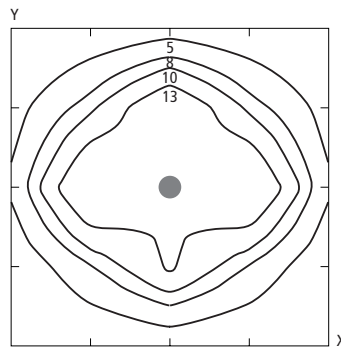
mounted to suit lamps up to 125W.

Applications

- Landscape Areas
- Walkways
- Schools
- Unit Complexes
- Parklands
- Car Parks
- Shopping Malls
- Security Areas



Photometric design data

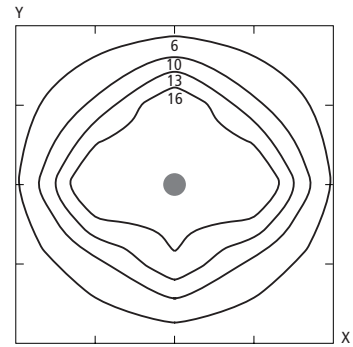


Horizontal illumination – Darwin Post Top DAR70SON

Mounting height – 3.5m Area – 16m x 16m
 X increments = 4m Y increments = 4m
 Plane height = 0.0m

Illumination conversion factors for different heights

Height	Multiply	Height	Multiply
3.0m	: 1.36	4.0m	: 0.77
3.5m	: 1.00	4.5m	: 0.61

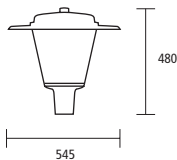


Horizontal illumination – Darwin Post Top DAR125MBF

Ceiling height – 3.5m Area – 16m x 16m
 X increments = 4m Y increments = 4m
 Plane height = 0.0m

Wired to AS3137 and EMC approved

PE versions available on request,
 Supplied complete with PE Cell
 Pole spigot size = 76mm O.D.



Product reference

Lamp ordered separately

DAR80MBF	80W	HQL80W	HPF
DAR125MBF	125W	HQL125W	HPF
DAR70SON	70W	NAVE70I	HPF